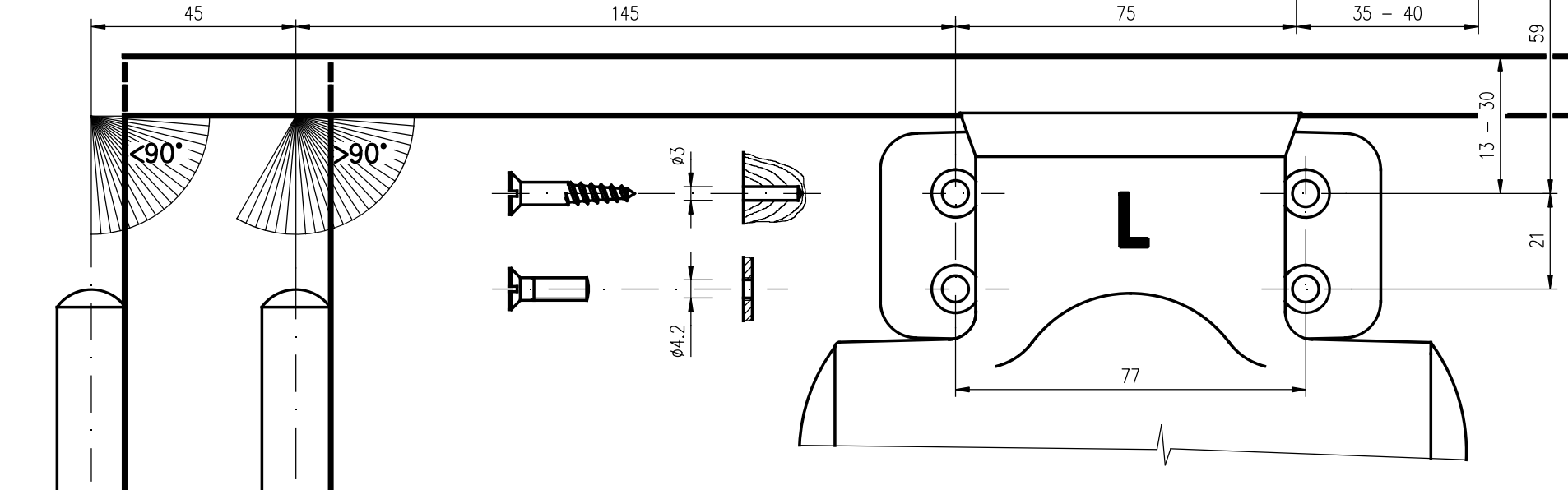




R 12 A - No12 - L



R 12 A - No12 - R

